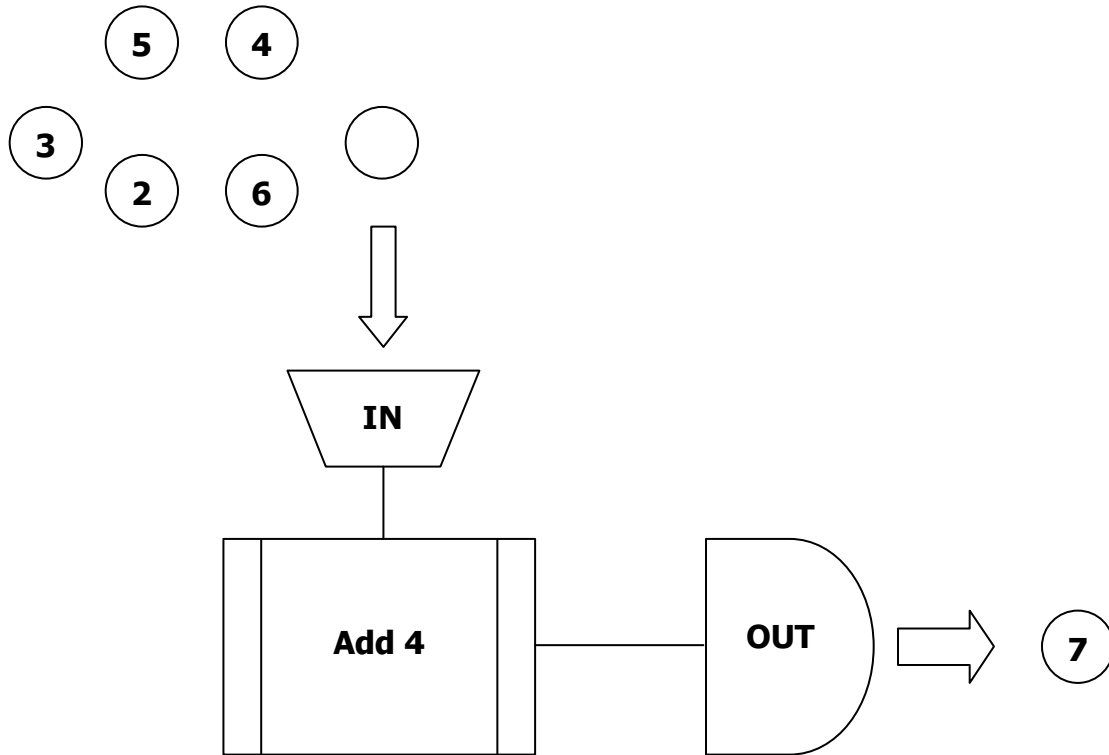


Name : _____

Topic: Math – Addition within 10

(1) Which ball is it?

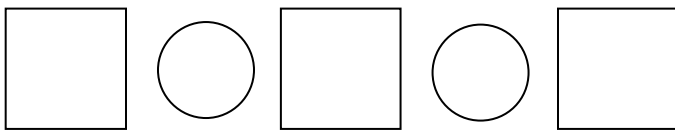


(2)



Googol has _____ books.

Sonia has _____ books.



Googol and Sonia have _____ books altogether.