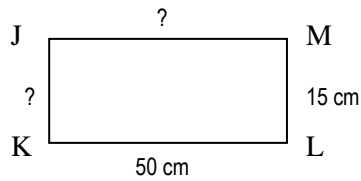
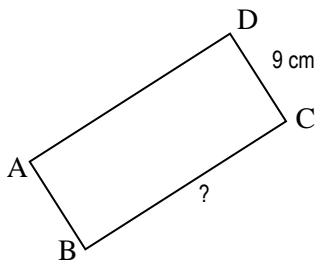
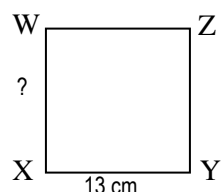
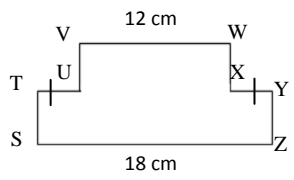


Name : _____

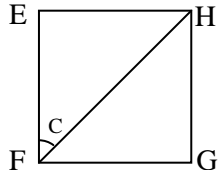
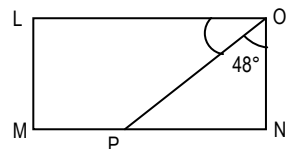
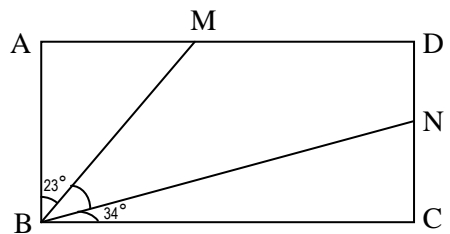
Topic: Math – Squares and Rectangles

Contributor : RFAquino

Directions: Find the lengths of the unknown sides.

<p>1) JKLM is a rectangle.</p> <p>LM = _____ cm</p> 	<p>2) ABCD is a rectangle with length three times its width (breadth).</p> <p>AD = _____ cm</p> 
<p>3) WXYZ is a square.</p> <p>WX = _____ cm</p> 	<p>4) STUVWXYZ is a figure made up of two rectangles.</p> <p>Find the length of XY.</p> 

Directions: Find the unknown marked angles.

<p>1) EFGH is a square. Find $\angle C$.</p> 	<p>2) Find $\angle LOP$.</p> 
<p>3) Find $\angle MBN$.</p> 	<p>4) The figure is made up of a square and a rectangle.</p> <p>Find the $\angle X$.</p> 